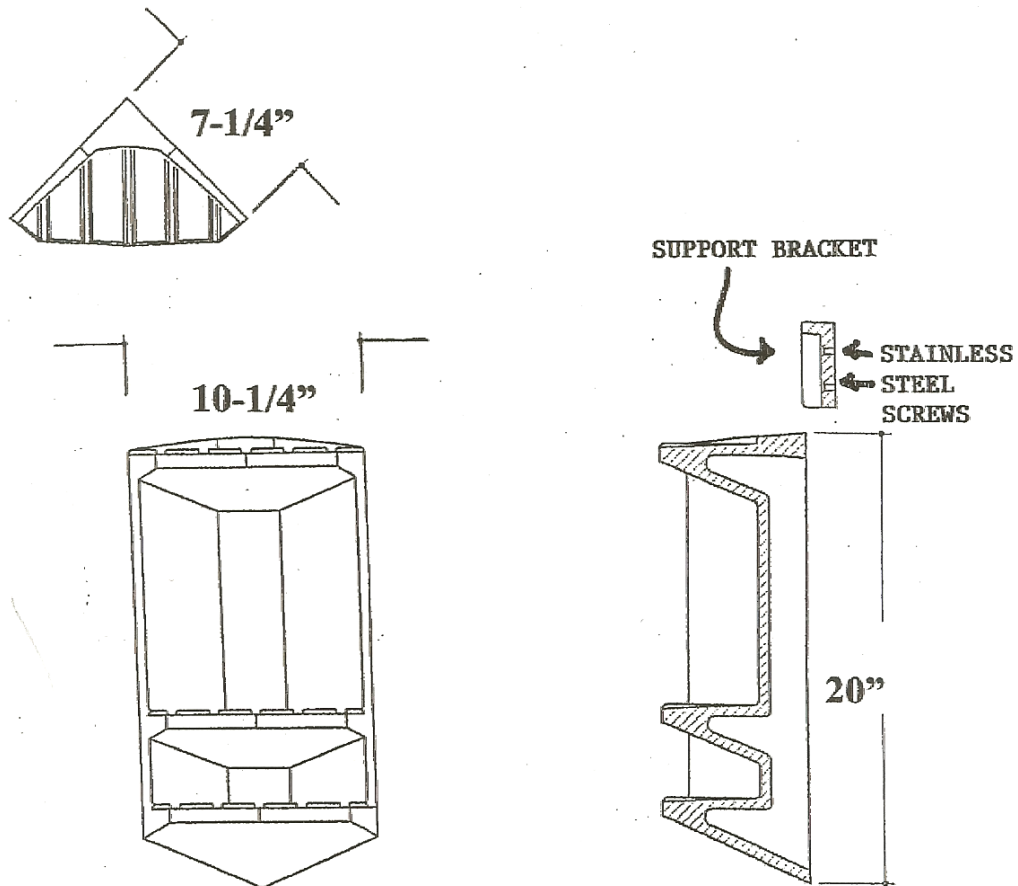


Corner Soap/Shampoo Combo Installation Instructions



1. Place support bracket at desired height and drill 2 holes for anchoring.
2. Apply silicone on back of bracket and in holes.
3. Secure with 2 stainless steel screws approximately 3" long. Make sure your screws hit the studs behind the panels.
4. Apply silicone on the back edge of combo unit and hang on the support unit.
5. Apply silicone around the outside edge of the unit and allow to dry for 24 hours before using.